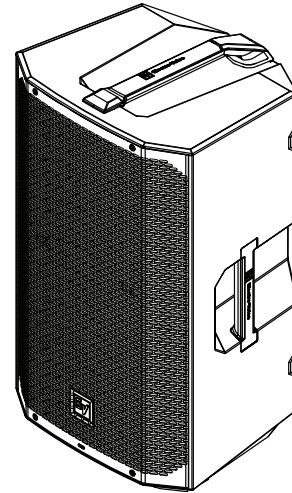


EVERSE12 12" 2-way battery powered speaker

- Long run-time rechargeable, removable and replaceable Li-ion battery pack with 6+ hours of constant music playback at maximum output levels, or 12+ hours at 100 dB SPL average.
- Real professional level output and Electro-Voice sound quality, thanks to a 12-inch woofer with SST port and a 1-inch titanium compression driver.
- Easy to use with QuickSmart Mobile app and Electro-Voice's Intuitive User Interface.
- High Quality Stereo Bluetooth® streaming with true wireless stereo (TWS) linking between two EVERSE speakers.
- **POWERED BY DYNACORD** with built-in digital 4-channel mixer.



The EVERSE 12 is a versatile, easy to use, compact, battery-powered loudspeaker system. It provides professional level performance and is housed in a robust weatherized enclosure. The EVERSE 12 provides real professional performance for musical performances, voice reinforcement and audio playback. The EVERSE 12 takes advantage of decades of Electro-Voice and Dynacord pro-audio and electronics expertise, along with new advancements in technology, to provide truly portable and truly wireless audio.

The EVERSE 12 utilizes a 2-way configuration with a 12-inch woofer and a high efficiency titanium compression driver mounted on Electro-Voice's patented SST baffle. It produces 5 dB higher SPL with 100° x 60° coverage and deeper bass than the EVERSE 8.

The rugged polypropylene enclosure features a weatherized input cover for the input section, allowing the loudspeaker to meet IP43 rating (splash and light rain resistant) for use on battery power and Bluetooth® streaming. The available accessory rain cover allows for additional weather resistance and protection when needed.

The EVERSE 12 features Electro-Voice's QuickSmart DSP and is **POWERED BY DYNACORD**, featuring a built-in 4-channel digital mixer with FX, feedback suppression, and ducking features. The loudspeaker

features a custom designed, and fully optimized for audio use, high capacity battery pack. The battery pack provides more than enough power to complete the show, including a 12 V DC accessory port to power RE3 or R300 wireless microphone systems. The EVERSE 12 is available in both white and black.

Technical specifications

Frequency response (-3 dB) (Hz) (-3 dB) ¹	55 Hz – 20,000 Hz
Frequency range (-10 dB) (Hz) ²	45 Hz – 20,000 Hz
Maximum sound pressure level at a distance of 1 m (dB) ³	126 dB
Coverage angle HxV (°)	100° x 60°
Amplifier rating (W)	400 W
LF transducer size (in)	12 in
LF transducer magnet material	Ferrite
HF transducer size (in)	1 in
HF transducer type	Compression driver
HF transducer diaphragm material	Titanium
HF transducer magnet material	Ferrite
Crossover frequency (kHz)	2 kHz

Connector type	3.5 mm stereo jack; XLR/TRS combo jack (2); charge port; TRS footswitch; 12 V DC power output
Enclosure	Polypropylene
Grille material	Powder coated steel
USB charging	1.5 A max., device-dependent
Color	Black or white
Dimensions (H x W x D) (mm)	597 mm x 345 mm x 347 mm
Dimensions (H x W x D) (in)	23.50 in x 13.58 in x 13.66 in
Weight (kg)	14.16 kg
Weight (lb)	31.22 lb
Shipping weight (kg)	16.34 kg
Shipping weight (lb)	36.02 lb
Power consumption (V, Hz, A) ⁴	100 - 240 V~, 50 - 60 Hz, 1.2 - 0.6 A
Battery capacity (Wh)	86.4 Wh
Battery run time (at max. output) ^{5,7}	6+ hours
Battery run time (at 100 dB SPL) ^{2,6,7}	12+ hours

1) Full space measurement using music DSP preset.
 2) Half-space measurement.
 3) Maximum SPL is measured at 1 m using broadband pink noise at maximum output.

4) Current rating is 1/8 power.
 5) Maximum output before loudspeaker limit indication, with typical program material.
 6) Moderate output with typical program material.
 7) Powering external devices via the DC power jack, USB connection, and/or phantom power will reduce battery run time.

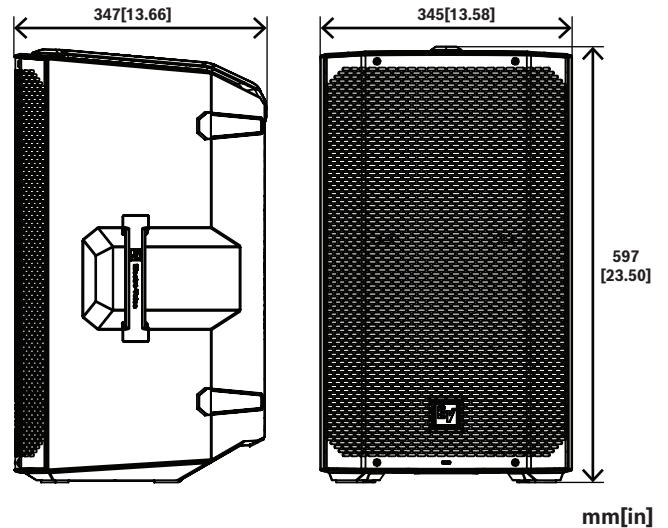


Fig. 1: Dimensions

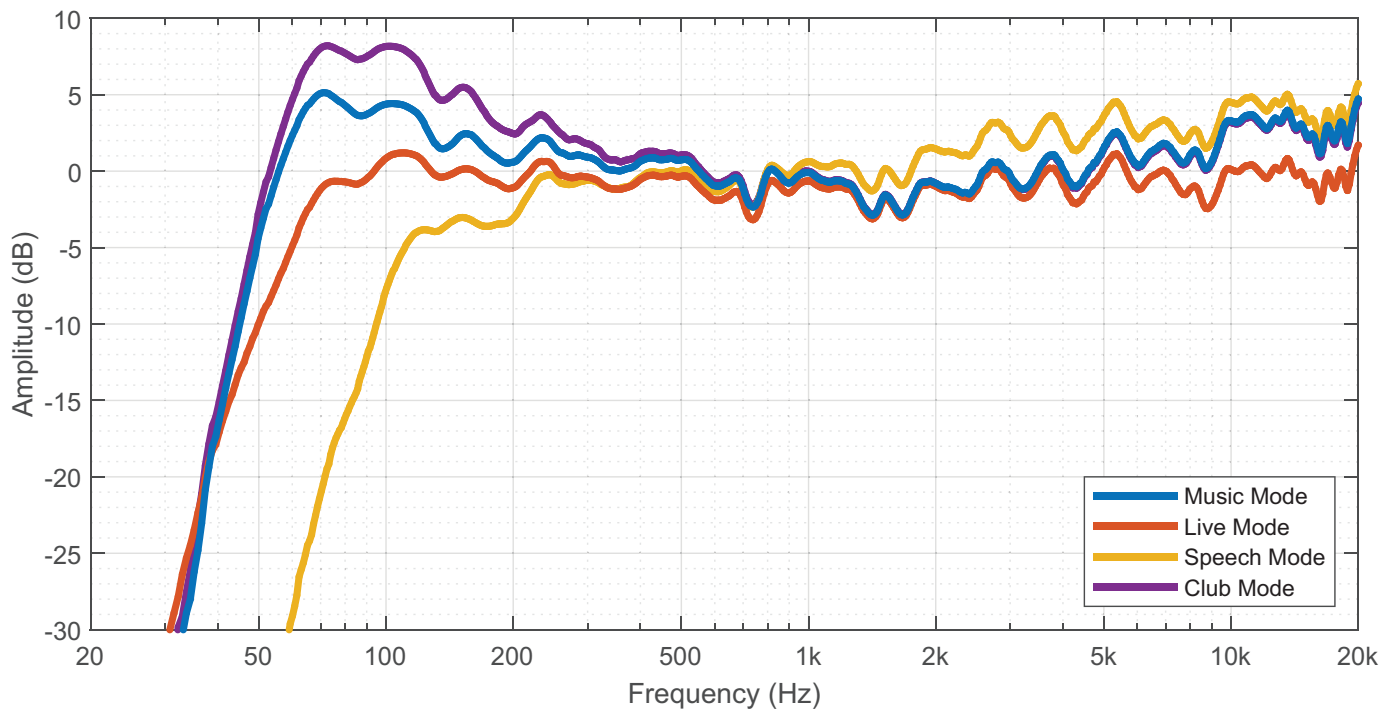


Fig. 2: Frequency response

Ordering information

EVERSE12-EU 12" 2-way speaker battery black EU
 Battery-powered 100° x 60° loudspeaker with built-in mixer, EU, black
 Order number **EVERSE12-EU | F.01U.409.014**

EVERSE12-US 12" 2-way speaker battery black US
 Battery-powered 100° x 60° loudspeaker with built-in mixer, US, black
 Order number **EVERSE12-US | F.01U.409.013**

EVERSE12-W 12" 2-way speaker battery white US&EU
 Battery-powered 100° x 60° loudspeaker with built-in mixer, US&EU, white
 Order number **EVERSE12-W | F.01U.429.685**

Accessories

EVERSE12-RAINCVR Rain resistant cover for EVERSE 12

Padded cover, black

Order number **EVERSE12-RAINCVR | F.01U.409.038**

EVERSE12-TRAY-B Tray for EVERSE 12, 12V DC cable, black

Wireless microphone tray

Order number **EVERSE12-TRAY-B | F.01U.409.037**

EVERSE12-TRAY-W Tray for EVERSE 12, 12V DC cable, white

Wireless microphone tray

Order number **EVERSE12-TRAY-W | F.01U.429.686**

EVERSE-DUFFEL Padded duffel bag for EVERSE

Padded duffel bag, black

Order number **EVERSE-DUFFEL | F.01U.409.039**

Represented by:

Germany:
Bosch Sicherheitssysteme GmbH
Robert-Bosch-Ring 5
85630 Grasbrunn
Germany
www.electrovoice.com

Bosch Security Systems, LLC
12000 Portland Avenue South
Burnsville MN 55337
USA